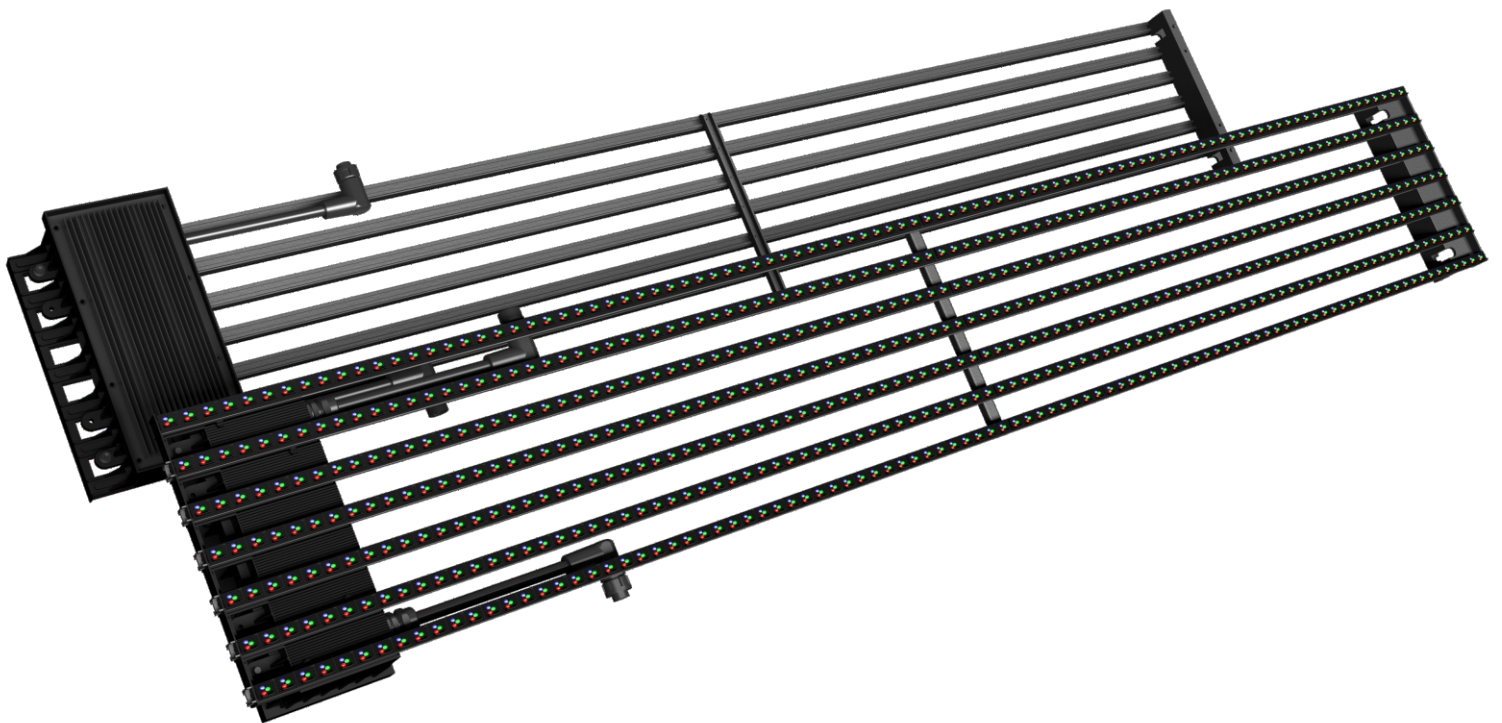


Leading the  
**LED screens** integrated  
solutions provider



## Media Curtain™ Series

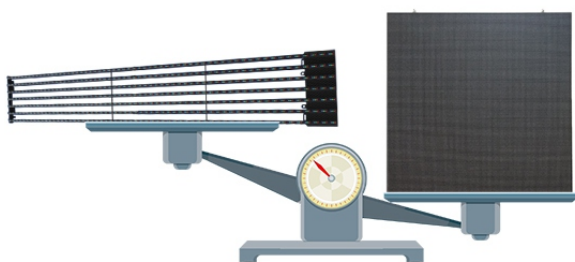
Outdoor LED Display





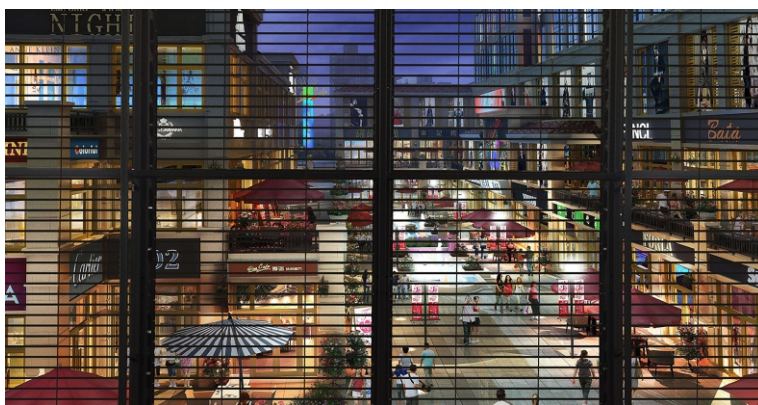
## Features

- Front/rear service is available, it's suitable and convenient for installation at various occasions.
- Waterproof level reach IP66.



- Ultra-thin and super light: Aluminum structure with the weight 40% less than conventional screen, saving the steel structure cost up to 80%. Easy for installation and maintenance.

- Up to 70% transparent level, it won't affect the natural lighting and viewing needs inside the building, reducing the hidden on the building appearance.



- Power efficiency: adapt with high level LED lamps and high efficiency rate power supply with PFC function, the max. power consumption is less than 300W/sqm when the brightness is 10,000nits.

## Parameters

	ITEM	MCO-16-36	MCO-16	MCO-20	MCO-25
LED Panel	LED	SMD 3 IN 1			
	Pixel Pitch (mm)	H.16/V.36.57	16	20	25
	LED Panel Resolution (WxH)	96x7	16x96	20x10	16x8
	LED Panel Size (WxH)	1536x256	256x1536	400x200	
	LED Panel Weight (Kg/pc)	5.2	8.3	1.1	
	Pixel Density (Dots/m <sup>2</sup> )	1,708	3,906	2,500	1,600
	Panel/Cabinet Resolution (WxH)	96x7	16x96	80x80	64x64
	Panel/Cabinet Size (WxH)	1536x256	256x1536	1600x1600	
	Panel/Cabinet Weight (Kg/m <sup>2</sup> )	13	21	29	
	Panel/Cabinet Material	Aluminum			Iron
	Ingress Protection	Front/Back:IP66		Front:IP65 / Back:IP54	
	Maintenance	Front/Rear Optional			
Electrical Parameter	Color Temperature (K)	3200-12000 (Adjustable)			
	Brightness (nit)	10,000			
	View Angle	H.120° / V.60°			
	Contrast Ratio	2,000:1			
	Max Power Consumption(W/m <sup>2</sup> )	300			
	Average Power Consumption(W/m <sup>2</sup> )	100			
	Working Voltage(V)	AC110/220V			
	Refresh Rate (HZ)	≥1920			
Usage Environment	Life (H)	50,000			
	Working Temperature (°C)	-20°C ~ +50°C			
	Storage Temperature (°C)	-20°C ~ +60°C			
	Working Humidity(RH)	10 ~ 90%			
	Storage Humidity(RH)	10 ~ 90%			
	Application	Outdoor			

Zhongbo reserves the right of interpretation for the parameters.



## SHENZHEN ZHONGBO PHOTOELECTRIC CO.,LTD

Address: 3rd Floor, 5th Building, Fulongte Technology Park, Huaxing Road, Dalang, Longhua District, 518109, Shenzhen, Guangdong, P.R.China.

Tel phone: 0086-755-29043232

Website: <https://www.zhongbo-gd.com>