

Leading the  
**LED screens** integrated  
solutions provider



**Media Fix™ Series**  
Indoor LED Display



## Features

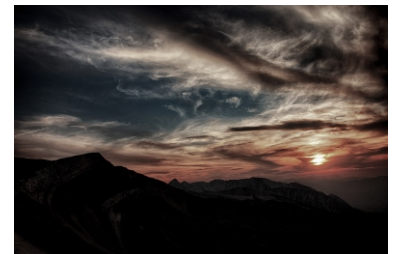
- Support seamless splicing 2K/4K pixel by pixel with better consistency.
- Support HDR features, constant high color temperature without color deviation to display real image quality.



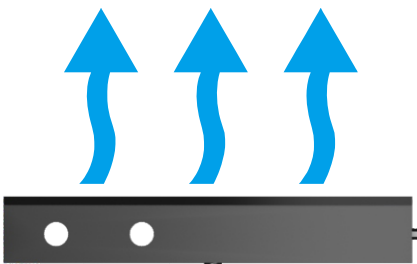
- Adopt with pure black LED lamp to realize high refresh rate and grey scale with better contrast ratio and vivid video displaying.



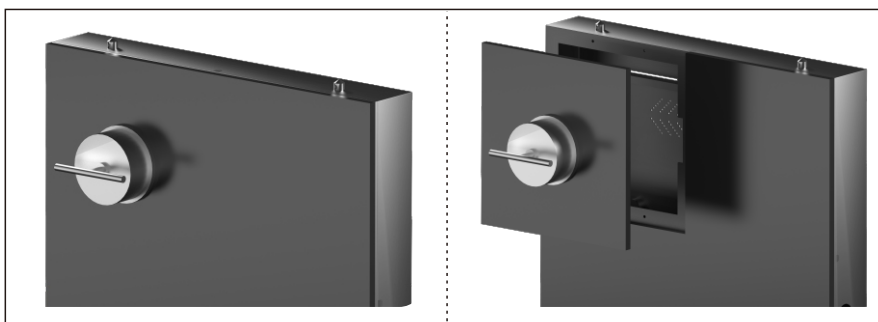
High Brightness & High Gray Scale



Low Brightness & Low Gray Scale



- Lower and uniform heating generation and fast dissipation with longer lifetime and stable running.



- Front / Rear maintenance optional applying to various situation, easy and fast installation



## Parameters

	ITEM	MFI-1.875D	MFI-2D	MFI-2.5D	MFI-3D
LED Module	LED	SMD 3 IN 1			
	Pixel Pitch (mm)	1.875	2	2.5	3
	Module Resolution (WxH)	128x128	128x64	64x64	64x64
	Module Size (WxH)	240x240	256x128	160x160	192x192
	Module Weight (kg/pcs)	0.6	0.25	0.22	0.31
	Module Quantity (WxH)	2x2	2x4	3x3	3x3
Cabinet	Cabinet Resolution	256x256		192x192	
	Cabinet Size (WxH mm)	480x480	512x512	480x480	576x576
	Pixel Density	284,444	250,000	160,000	111,111
	Weight (kg/m <sup>2</sup> )	38	33		
	Cabinet Material	Aluminum			
	Ingress Protection	IP30			
Electrical Parameter	Maintenance	Front/Rear Optional			
	Color Temperature (K)	3200-12000 (Adjustable)			
	Brightness (nit)	600-800		700-1000	
	View Angle	H.140° / V.140°			
	Contrast Ratio	4000:1			
	Max Power Consumption(W/m <sup>2</sup> )	650		500	
	Average Power Consumption(W/m <sup>2</sup> )	216		166	
	Working Voltage(V)	AC110/220V			
Usage Environment	Refresh Rate (HZ)	≥3840			
	Life (H)	50,000			
	Working Temperature (°C)	-10°C ~ +40°C			
	Storage Temperature (°C)	-20°C ~ +60°C			
	Working Humidity(RH)	10 ~ 60%			
	Storage Humidity(RH)	10 ~ 60%			
Application	Indoor Only				

Zhongbo reserves the right of interpretation for the parameters.



## SHENZHEN ZHONGBO PHOTOELECTRIC CO.,LTD

Address: 3rd Floor, 5th Building, Fulongte Technology Park, Huaxing Road, Dalang, Longhua District, 518109, Shenzhen, Guangdong, P.R.China.

Tel phone: 0086-755-29043232

Website: <https://www.zhongbo-gd.com>